
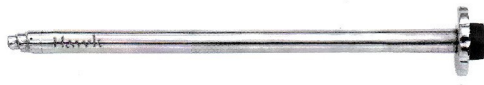










LAPAROSCOPY INSTRUMENTS

			
	Dilator	∅10	F4109
	Insection tube	∅5	F4119
 Not available in Europe and USA.	Trocar Sleeve	∅5	F4205
	Trocar Sleeve	∅5.5	F4255
	Trocar Sleeve	∅10	F4210
	Trocar Sleeve	∅11	F4311
	Trocar Sleeve	∅15	F4215
 Not available in Europe and USA.	Trocar Sleeve with thread	∅5	F4206
	Trocar Sleeve with thread	∅10	F4211
	Trocar sharp	∅5	F4204
	Trocar sharp	∅5.5	F4255B
	Trocar sharp	∅10	F4212
	Trocar sharp	∅11	F4312
	Trocar sharp	∅15	F4216
	Trocar with safety shield	∅10	F4220
	Reducer	∅10 - ∅5	F4105
	Veress Needle	∅2 × 100	F2210
	Veress Needle	∅2 × 120	F2212
	Veress Needle	∅2 × 150	F2215
	Sealing Cap	∅5 × 10	F6080
	Sealing Cap	∅5 × 16	F6081
	Sealing Cap	∅10 × 16	F6082