

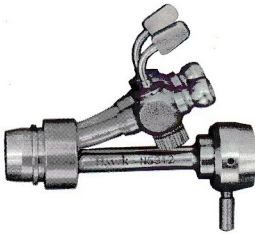
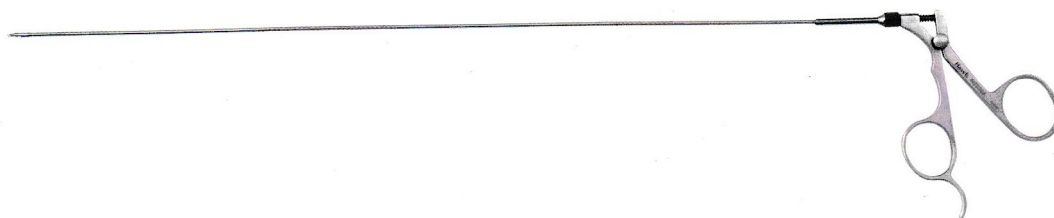






# CYSTO - URETHROSCOPES

## BRIDGES

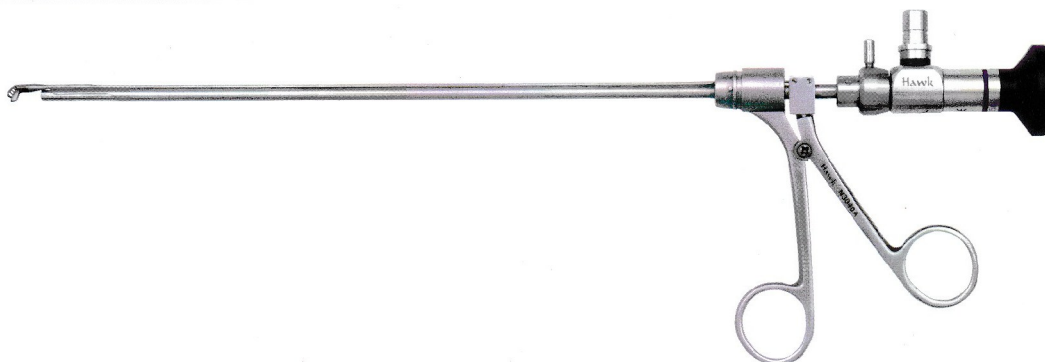
		
<b>Bridge</b>	<b>Bridge 1 channel</b>	<b>Bridge 2 channels</b>
<b>N5310</b>	<b>N5311</b>	<b>N5312</b>






## FLEXIBLE FORCEPS $\varnothing 2.4 \times 410$



			
<b>Biopsy Forceps</b>	<b>Grasping Forceps for small fragments</b>	<b>Grasping Forceps for removal of foreign bodies</b>	<b>Scissors</b>
<b>N2200</b>	<b>N2210</b>	<b>N2220</b>	<b>N2230</b>

## OPTICAL FORCEPS / SCISSORS



				
<b>Biopsy Forceps spoon type</b>	<b>Biopsy Forceps fenestrated</b>	<b>Grasping Forceps</b>	<b>Scissors</b>	<b>Biopsy Forceps single action jaw</b>
<b>N3010</b>	<b>N3011</b>	<b>N3020</b>	<b>N3030</b>	<b>N3040</b>